

⚠ WARNING
DO NOT EXCEED WORKING LOAD LIMIT.
 USE CERTIFIED RIGGING WITH RIGHT SIZE OF WIRE ROPE



Safe Lifters

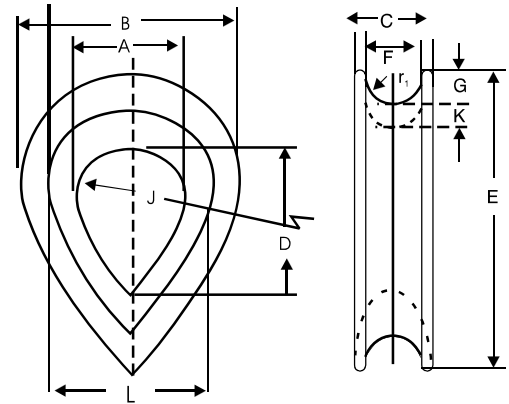
Pundol Apartments, Shop No. 5 & 6, 160 M.G. Road,
 Pune - 411001, (India) Tel +91 20 66013783 / 84 / 85 / 86
 Fax +91 20 26350832 Email : safelifters@eth.net

Thimble for Wire Ropes ORDINARY THIMBLE

Nominal Size of Rope	A	B	*C Min	D	E	*F Min	G	r1	J Approx	K	L
08	22	38	13	34	54	09	04	3.5	62	04	30
10	24	46	15	38	64	11	06	5.5	76	05	34
12	32	60	19	44	80	13	08	7.5	90	06	44
14	32	60	21	44	80	15	08	7.5	90	06	44
16	40	72	23	58	98	17	08	7.5	114	08	56
18	44	80	29	66	110	19	10	9.5	125	08	60
20	50	94	31	74	124	21	12	11.0	150	10	70
22	58	102	34	82	134	24	121	11.0	165	10	78
24	64	108	36	92	150	26	12	11.0	176	10	84
25	70	118	37	108	162	27	14	13.0	200	10	90
29	76	132	41	112	176	31	16	14.5	230	12	100
32	96	152	44	134	196	34	16	14.5	250	12	120
35	104	174	48	152	228	38	19	17.5	300	16	136
38	114	198	54	165	254	41	24	22.0	330	18	150
41	114	198	56	165	254	44	4	22.0	330	18	150
44	125	222	57	178	285	47	26	23.5	355	25	175
48	134	246	67	190	315	51	28	25.5	380	28	190
51	140	256	70	330	330	55	30	27.5	400	28	196
54	140	256	70	200	330	58	30	27.5	400	28	196
57	146	270	76	216	355	61	32	29.5	425	30	206
64	156	308	95	240	400	69	44	41.0	450	32	220
70	200	400	120	275	500	75	60	57.0	480	40	280



SL-411



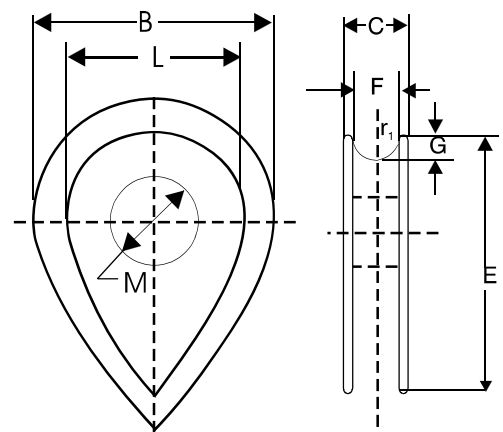
Specifications given are indicative and are subject to change.
 Note : For wire ropes of intermediate size, the next larger size of thimble shall be used.
 These dimension are minimum for thimbles of nominal size up to and including 41 only

SOLID THIMBLE

Nominal Size of Rope	B	C	E	F Min	G	r1	L	*M Max
08	33	11	46	9	4	3.5	25	12
10	44	15	56	11	6	5.5	32	16
12	60	20	82	13	8	7.5	44	22
14	60	21	82	15	8	7.5	44	22
16	70	23	94	17	10	29.5	50	25
18	80	26	104	19	12	11.0	56	28
20	88	28	116	21	12	11.0	64	32
22	100	30	125	24	14	13.0	72	34
24	104	33	140	26	14	13.0	76	38
25	114	36	150	27	16	14.5	82	42
29	124	39	165	31	18	16.5	88	44
32	140	45	190	34	20	18.5	100	50
35	154	50	208	38	20	18.5	114	56
38	169	56	234	41	22	20.5	125	64
41	169	56	234	44	22	20.5	125	64
44	190	65	260	47	25	22.5	140	68
48	206	67	275	51	28	25.5	150	75
51	229	72	300	55	32	29.5	165	78
54	229	76	300	58	32	29.5	165	78
57	243	78	330	61	34	31.5	115	88
64	276	88	375	69	38	35.5	200	100



SL-412



Specifications given are indicative and are subject to change.
 Note : For wire ropes of intermediate sizes, the next larger size of thimble shall be used.
 Dimension M is the standard pin hole and the largest pin-hole for each thimble. Should a smaller pin-hole be required the diameter of this shall be stated in the enquiry and order.