

**WARNING**  
**DO NOT EXCEED WORKING LOAD LIMIT.**  
 USE SWIVEL EYE BOLT & HOIST RING FOR ANGLE LIFTING.

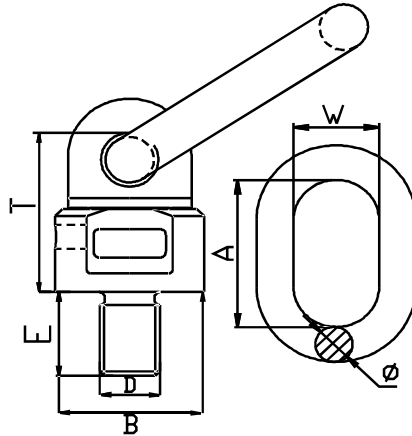


# Safe Lifters

Pundol Apartments, Shop No. 5 & 6, 160 M.G. Road,  
 Pune - 411001, (India) Tel +91 20 66013783 / 84 / 85 / 86  
 Fax +91 20 26350832 Email : safelifters@eth.net

## Swivel Eye Bolt

**SL-303**



### Features

The SL-303 Type Swivel Hoist Ring is a revolutionary design which replaces the traditional eye bolt used for lifting Dies and Mould.

The SL-303 has a 360 Degree Swivel Movement and 180 Pivot Movement.

Lifting Moulds and Dies from any angle is possible only with the SL-303 Swivel Eye Bolt.

THE SL-303 is manufactured from SAE 8620 Steel and meets the EN-1677-1 Norms.

The Swl and Size is forged on the Body of SL-303.

Item Code	WLL/t 0°	WLL/t 90°	W	T	A	Ø	EX D	B	Weight Kg
SL303-M8	0.60	0.30	30	41	55	13	M8X13	36	0.41
SL303-M10	0.90	0.45	30	41	55	13	M10X18	36	0.43
SL303-M12	1.00	0.50	30	41	55	13	M12X18	36	0.44
SL303-M16	2.40	1.20	30	42	55	13	M16X20	36	0.46
SL303-M20	4.00	2.00	35	56	70	16	M20X30	50	0.96
SL303-M24	7.00	3.50	40	66	85	18	M24X30	57	1.45
SL303-M27	7.00	3.50	40	66	85	18	M27X35	57	1.51
SL303-M30	10.0	5.00	40	80	85	20	M30X35	66	2.17
SL303-M36	12.0	8.00	50	90	115	22	M36X50	80	3.6
SL303-M39	12.0	8.00	50	90	115	22	M39X50	80	4.10
SL303-M42	15.0	10.0	50	90	115	22	M42X70	80	4.73
SL303-M48	15.0	10.0	50	90	115	22	M48X70	80	4.80

All dimensions in mm

Specifications given are indicative and are subject to change.

Proof Load = 2 x S.W.L. (Safe Working Load)

## Various other Model of Swivel Hoist Ring

