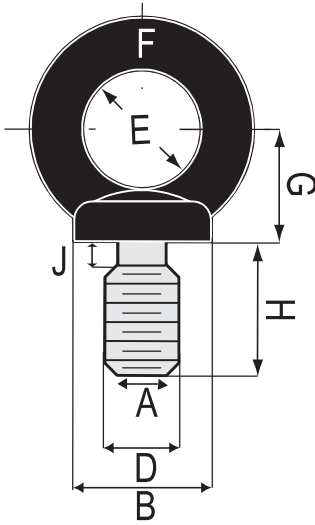


**WARNING**DO NOT EXCEED WORKING LOAD LIMIT.  
USE ONLY SAFEPOINT & SWIVEL EYE BOLT FOR ANGLE LIFTING.**Safe Lifters**Tel +91 20 66013783 / 84 / 85 / 86  
Fax +91 20 26350832  
Email : safelifters@eth.net**Eye Bolts****IS : 4190 / 1967****Mild Steel Forged Eye Bolts With Collar****G30****SL-53**

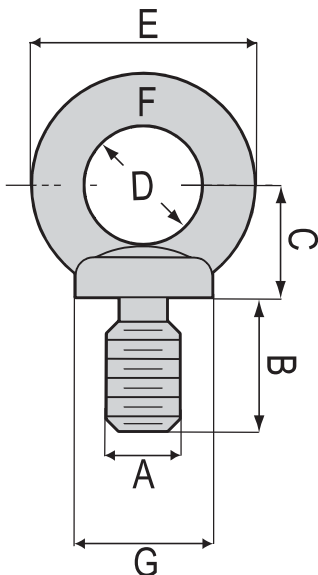
S.W.L At 0° kg.	Size Dia. D	Coarse Pitch	B	A	E	F	G	H	M	Approx wt. each kg.
85	8	1.25	20	6	20	8	18	12	10	0.06
150	10	1.50	25	8	25	10	22	18	12	0.11
220	12	1.75	30	10	30	12	26	22	14	0.18
380	16	2.00	35	12	35	14	30	28	16	0.28
570	20	2.50	40	14	40	16	35	30	19	0.44
810	22	2.50	45	16	45	18	40	35	21	0.55
1050	24	3.00	50	18	50	20	45	38	24	0.74
1700	30	3.50	65	22	60	24	55	45	28	1.66
2500	36	4.00	75	26	70	28	65	55	32	2.7
3400	42	4.50	85	30	80	32	75	65	38	4.0
5200	48	5.00	100	35	90	38	85	70	46	6.4
6500	56	5.50	110	38	100	42	95	80	50	8.8
8700	64	-	120	42	110	48	105	90	58	-
13000	72	-	150	50	140	60	130	105	72	-
17000	80	-	170	55	160	68	150	120	80	-
20000	100	-	190	60	180	75	165	130	88	-

Specifications given are indicative and are subject to change.

All dimensions in mm

Proof Load = 2 x S.W.L. (Safe Working Load)

Other threads can also be supplied to special order.

**DIN 580****SL-54****C15 Steel Forged Eye Bolts With Collar**

Dimen. A	WLL t	B mm	C mm	D mm	E mm	F mm	G mm	Weight kg / 100 pcs
M 6	0,07	13	17	16	28	7	17	3
M 8	0,14	13	18	20	36	8	20	6
M10	0,23	17	23	25	45	10	25	10
M12	0,34	20	27	30	53	12	30	18
M14	0,49	27	31	35	60	13	35	27
M16	0,70	27	31	35	62	14	35	28
M20	1,20	30	35	40	71	16	40	43
M24	1,80	36	45	50	90	20	50	84
M30	3,60	45	55	60	109	24	65	166
M36	5,10	54	65	70	128	28	75	265
M42	7,00	63	74	80	147	32	85	403
M48	8,60	68	85	90	168	38	100	632
M56	11,50	78	94	100	187	42	110	880
M64	16,00	90	105	110	208	48	120	1240

Specifications given are indicative and are subject to change.

All dimensions in mm

Proof Load = 2 x S.W.L. (Safe Working Load)